

AUTOMATIC TRANSMISSION FLUID

ADJUSTMENT

1. BEFORE REFILL TRANSMISSION

- This transmission requires Toyota Genuine ATF WS transmission fluid.
- After servicing the transmission, you must refill the transmission with the correct amount of fluid.
- Maintain the vehicle in a horizontal position while adjusting the fluid level.
- If the transmission pan, drain plug, valve body or torque converter is replaced, proceed to the "transmission pan fill" procedures.
- If the transmission hose or output shaft oil seal is replaced, remove the refill plug and proceed to the "transmission fill" procedures.
- If the entire transmission is replaced, proceed to the "fluid circulation" procedures.

HINT:

New transmissions are already filled with transmission fluid.

2. TRANSMISSION PAN FILL

- Remove the refill plug and overflow plug.
- Fill the transmission through the refill hole until fluid begins to trickle out of the overflow tube.
- Reinstall the overflow plug.

3. TRANSMISSION FILL

- Fill the transmission with the amount of fluid listed in the table below.
- Reinstall the refill plug to prevent the fuel from splashing.

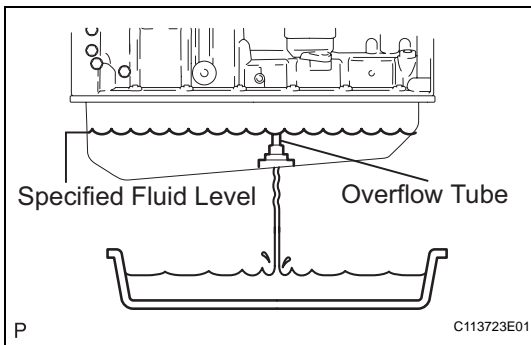
Standard capacity

Repair	Fill Amount
Transmission hose and pipe removal	0.6 liters (0.63 US qts, 0.53 Imp.qts)
Output shaft oil seal replacement	0.4 liters (0.42 US qts, 0.35 Imp.qts)
Transmission pan and drain plug removal	1.7 liters (1.8 US qts, 1.5 Imp.qts)
Transmission valve body removal	4.3 liters (4.54 US qts, 3.78 Imp.qts)
Torque converter removal	5.4 liters (5.71 US qts, 4.75 Imp.qts)

HINT:

If the amount of fluid listed in the table cannot be added, perform the next step.

- When the amount of fluid listed in table cannot be added:
 - Install the refill plug.
 - Allow the engine to idle with the air conditioning OFF.
 - Move the shift lever through the entire gear range to circulate fluid.
 - Wait for 30 seconds with the engine idling.



- (5) Stop the engine.
- (6) Remove the refill plug and add fluid.
- (7) Reinstall the refill plug.

4. FLUID CIRCULATION

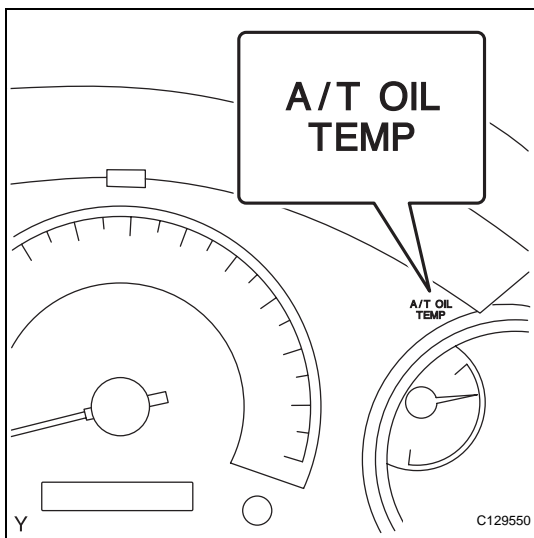
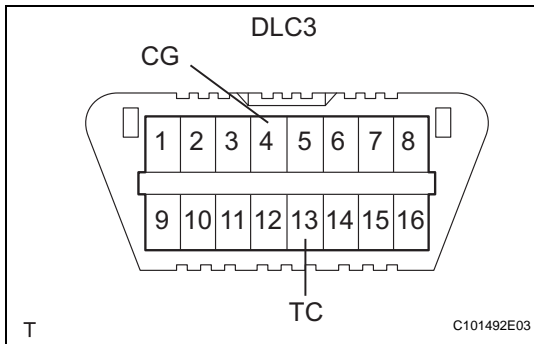
- (a) Allow the engine to idle with the air conditioning OFF.
- (b) Move the shift lever through the entire gear range to circulate fluid.
- (c) Allow the engine to idle until the fluid temperature reaches 46°C (115°F). Proceed to the next to check fluid temperature.

HINT:

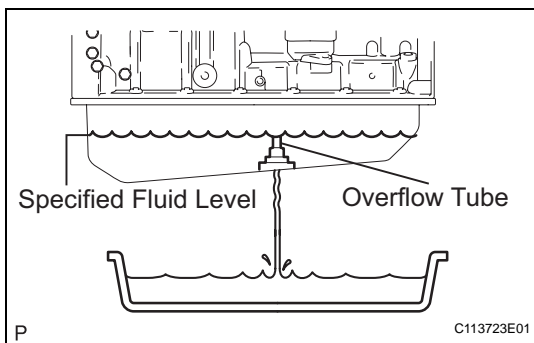
The fluid temperature should be less than 30°C (86°F) before starting the engine.

5. FLUID TEMPERATURE CHECK

- (a) Using SST, connect terminals TC and CG of the DLC3.
- SST 09843-18040**
- (b) Move the shift lever back and forth between N and D at 1.5 second intervals for 6 seconds.



- (c) The A/T OIL TEMP indicator turns on for 2 seconds when the combination meter starts to detect the fluid temperature.
- (d) The A/T OIL TEMP indicator turns on again when the fluid temperature reaches 46°C (115°F) and blinks when it exceeds 56°C (130°F).



6. FLUID LEVEL CHECK

NOTICE:

- The fluid temperature must be between 46°C (115°F) and 56°C (130°F) to check the fluid level.
 - Do not insert the fill nozzle into the refill hole more than 30 mm (1.2 in.), to avoid contact with the moving parts.
- (a) Remove the overflow plug with the engine idling.
 - (b) Check that the fluid comes out of the overflow tube.
 - (c) Wait until the overflow slows to a trickle.
If fluid does not come out, perform the following.
 - (1) Install the overflow plug.

- (2) Stop the engine.
- (3) Remove the refill plug.
- (4) Add 0.4 liters (0.21 US qts, 0.18 Imp qts) of fluid.
- (5) Allow the engine to idle.
- (6) Remove the overflow plug.
- (7) Wait until fluid begins to trickle out of the overflow tube.